

5 V	POWER SUPPLY
USER'S INTERFACE	
USB	HOST DEVICE
HE 10	ICE INTERFACE
POT	ADC1

Sheet 2

QTOUCH	
LCD INTERFACE	
2.8" 240x320 TFT	
TOUCH SCREEN	

Sheet 5

RJ 45	10/100 FAST ETHERNET
HE 10	ZIGBEE INTERFACE

Sheet 7

**ATMEL  
Cortex-M3 ARM Processor  
SAM3X (LFBGA217)**

Sheet 3

EBI	SDRAM 256Mbit
	NAND FLASH

Sheet 4

CARD READER	MMC SD
	SDIO
AUDIO	MIC
	OUT
SERIAL EEPROM	

Sheet 6

UART	RS232
COM	
CAN0	RJ12
CAN1	
USART0	RS485
PIO EXPANSION CONNECTOR	HE 10

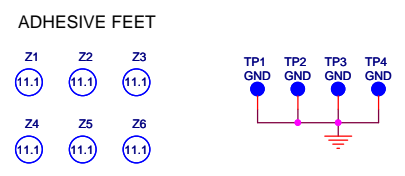
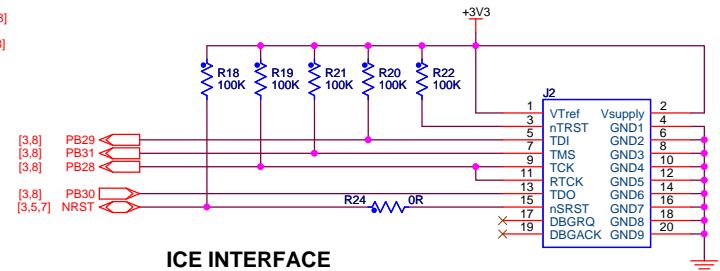
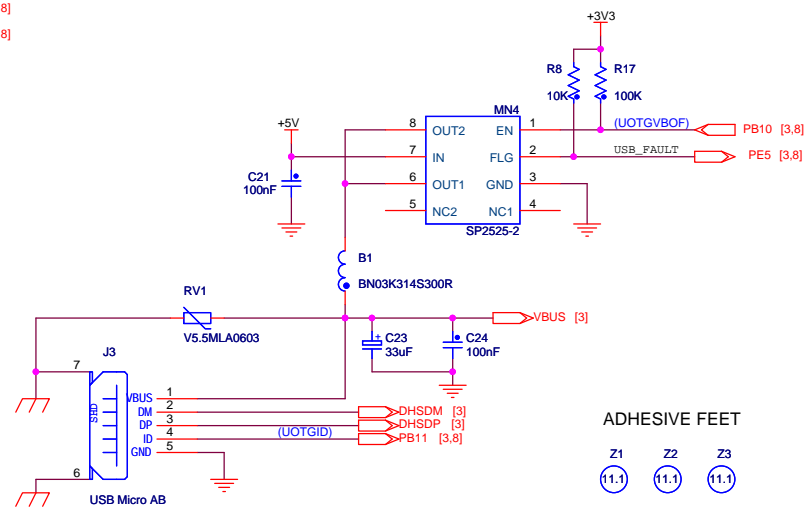
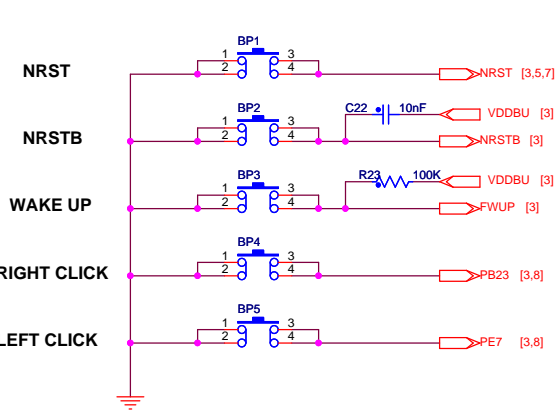
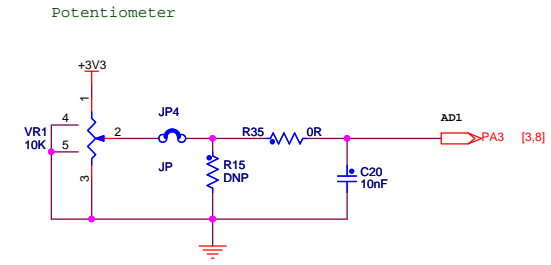
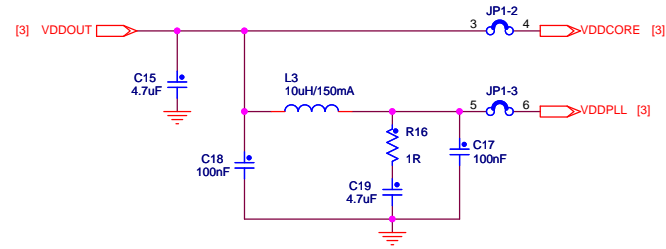
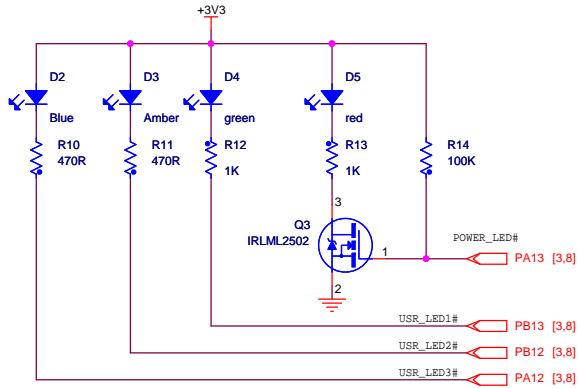
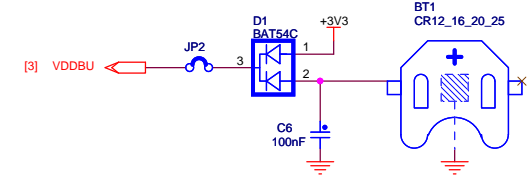
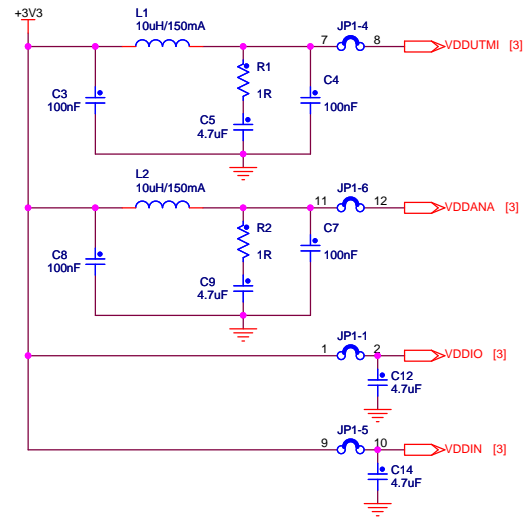
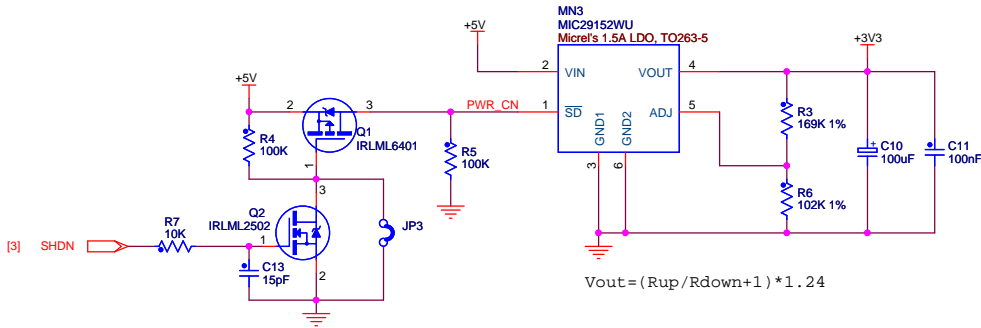
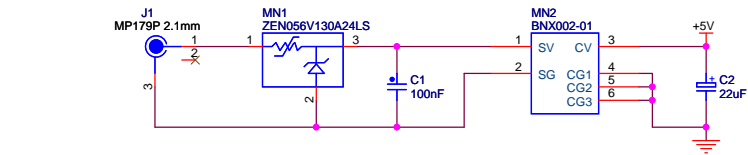
Sheet 8

PIO MUXING											
USAG	USAG	USAG	USAG	USAG	USAG	USAG	USAG	USAG	USAG	USAG	USAG
PA0	CANTX0	PA17	TWD0	PB2	ETX0	PB19	RK	PC4	D2	PC21	NBS0
PA1	CANRX0	PA18	TWCK0	PB3	ETX1	PB20	CANFXORS	PC5	D3	PC22	A1
PA2	NANDRDV	PA19	MCCK	PB4	ECRSDV	PB21	CANRXOEN	PC6	D4	PC23	A2
PA3	AD1	PA20	MCCDA	PB5	ERX0	PB22	PCK0	PC7	D5	PC24	A3
PA4		PA21	MCCDA0	PB6	ERX1	PB23	RP4_RIGHT	PC8	D6	PC25	A4
PA5	MDINTR	PA22	MCCDA1	PB7	ERKER	PB24	RCS2	PC9	D7	PC26	A5
PA6	NCS0	PA23	MCCDA2	PB8	EMCC	PB25	RTS0	PC10	D8	PC27	A6
PA7	NCS1	PA24	MCCDA3	PB9	EMDIO	PB26	CTS0	PC11	D9	PC28	A7
PA8	URXD	PA25	SPI0_MISO	PB10	UOTGVBOF	PB27	BL_EN	PC12	D10	PC29	A8
PA9	UTXD	PA26	SPI0_MOSI	PB11	UOTGVBOF	PB28	TK	PC13	D11	PC30	A9
PA10	RXD0	PA27	SPI0_SPCK	PB12	USER_LED2	PB29	TDI	PC14	D12	PD0	MCCDA4
PA11	TXD0	PA28	SPI0_NPCS0	PB13	USER_LED1	PB30	TDO	PC15	D13	PD1	MCCDA5
PA12	USER_LED3	PA29	NRD	PB14	CANRX1	PB31	TMS	PC16	D14	PD2	MCCDA6
PA13	POWER_LED	PA30	BUSY_TSC	PB15	CANRX1	PC0	ERASE	PC17	D15	PD3	MCCDA7
PA14	TK	PA31	IRQ_TSC	PB16		PC1	NWE	PC18	NWE	PD4	A14
PA15	TF	PB0	BRPCK	PB17	RF	PC2	D0	PC19	NANDOE	PD5	A10
PA16	TD	PB1	ETXEN	PB18	RD	PC3	D1	PC20	NANDWE	PD6	BA0
										PD23	A11
										PD24	A13
										PD25	A13
										PD26	
										PD27	
										PD28	
										PD29	
										PD30	
										PD31	
										PD32	
										PD33	
										PD34	
										PD35	
										PD36	
										PD37	
										PD38	
										PD39	
										PD40	
										PD41	
										PD42	
										PD43	
										PD44	
										PD45	
										PD46	
										PD47	
										PD48	
										PD49	
										PD50	
										PD51	
										PD52	
										PD53	
										PD54	
										PD55	
										PD56	
										PD57	
										PD58	
										PD59	
										PD60	
										PD61	
										PD62	
										PD63	
										PD64	
										PD65	
										PD66	
										PD67	
										PD68	
										PD69	
										PD70	
										PD71	
										PD72	
										PD73	
										PD74	
										PD75	
										PD76	
										PD77	
										PD78	
										PD79	
										PD80	
										PD81	
										PD82	
										PD83	
										PD84	
										PD85	
										PD86	
										PD87	
										PD88	
										PD89	
										PD90	
										PD91	
										PD92	
										PD93	
										PD94	
										PD95	
										PD96	
										PD97	
										PD98	
										PD99	
										PD100	

**NOTE**  
"DNP" means the component is not populated by default

<b>SAM3X-EK</b>			
TOP LEVEL			
SCALE	1/1	REV.	1/8
INIT EDIT	WL	2010-08-16	
MODIF	WL	2010-03-12	XXX XX-XXX-XX
DES.	DATE	VER.	DATE

This agreement is our property. Reproduction and publication without our written authorization shall expose offender to legal proceedings.

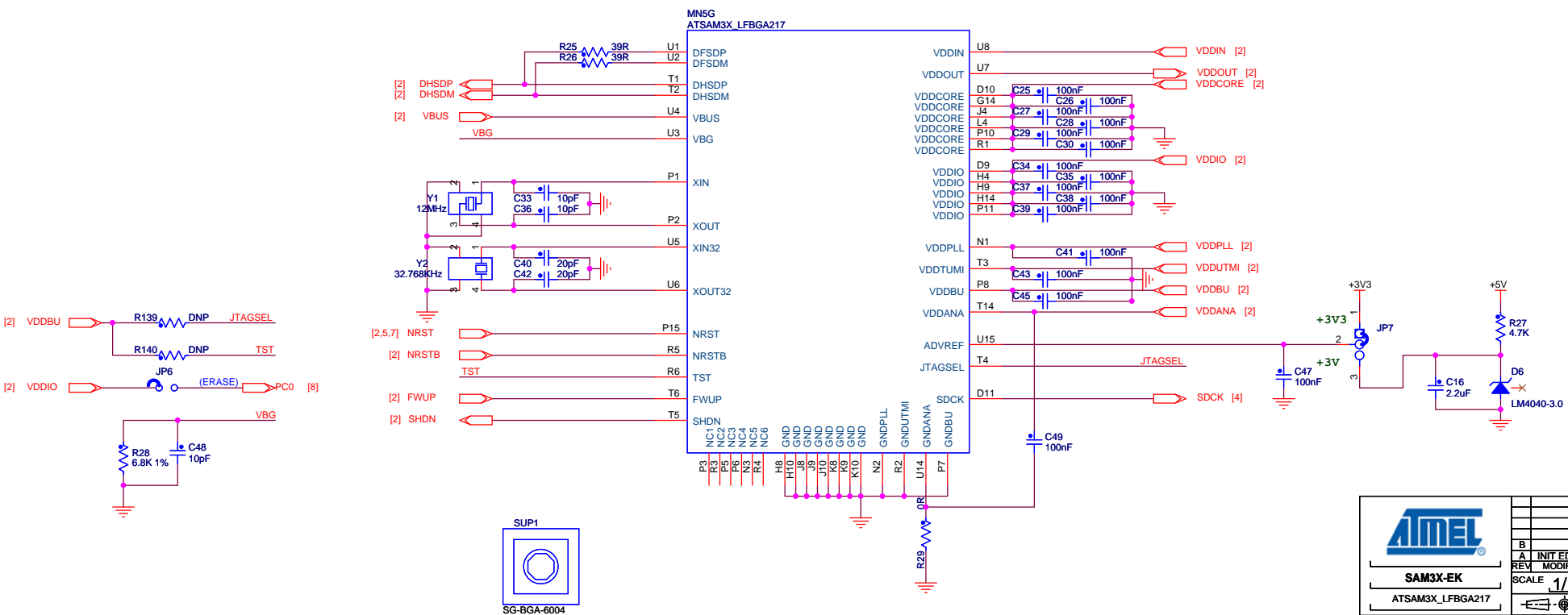
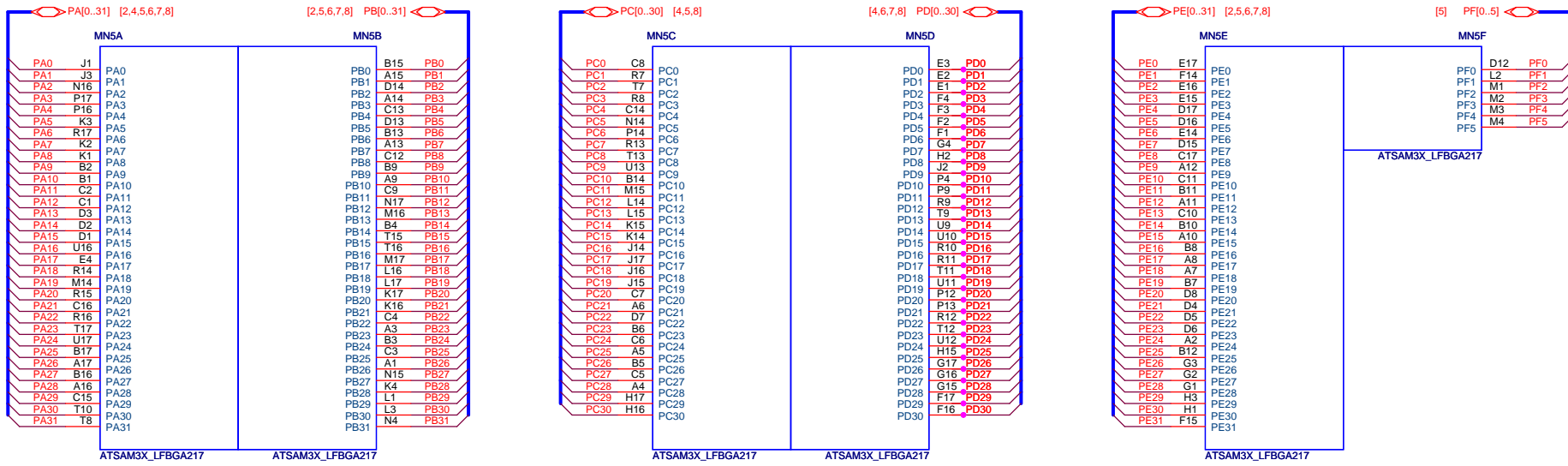


**BUTTONS**

**USB**

**ICE INTERFACE**

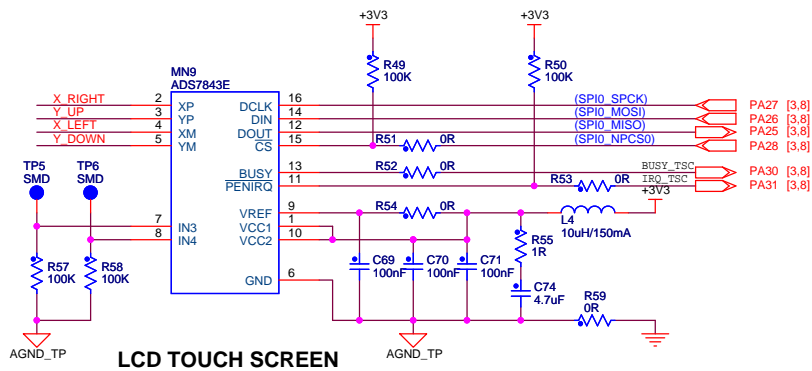
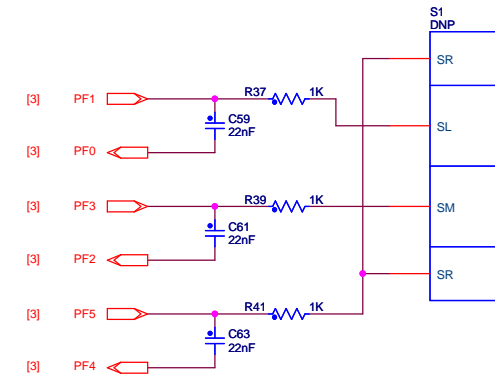
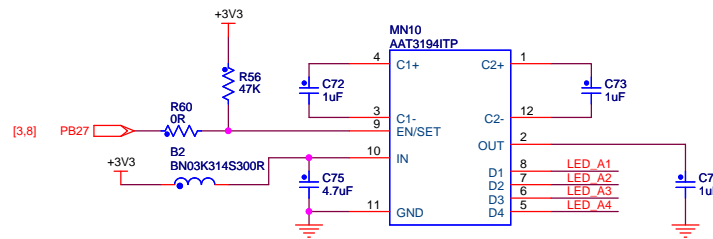
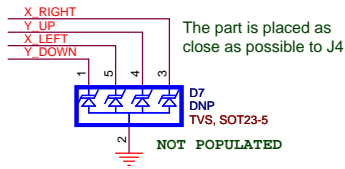
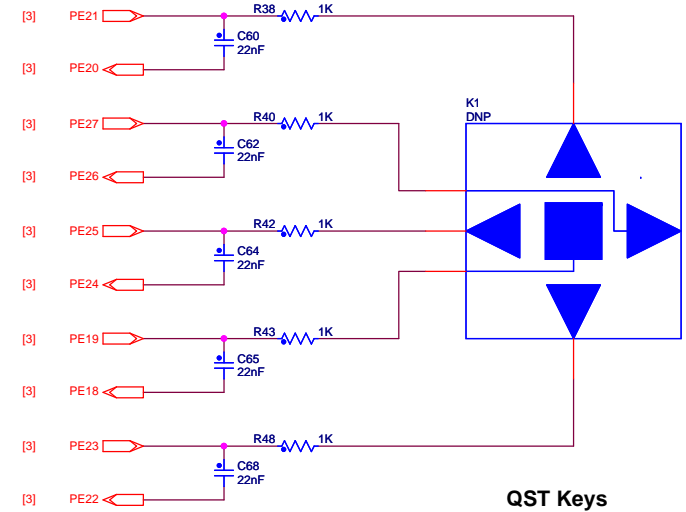
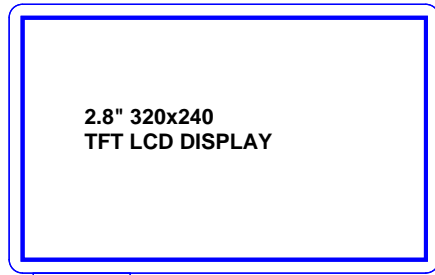
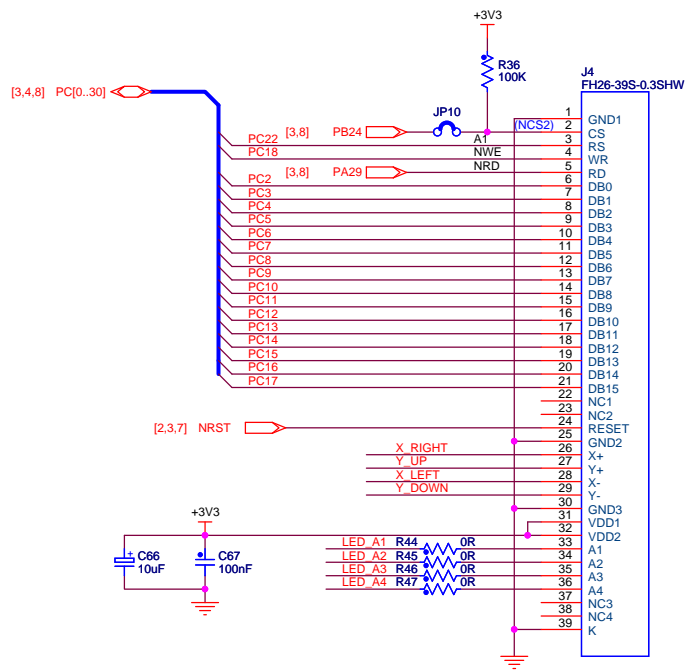
		<b>SAM3X-EK</b>		<b>POWER SUPPLY &amp; USB &amp; JTAG</b>	
<b>B</b>	<b>A</b>	<b>INIT EDIT</b>	<b>WL</b>	<b>2010-08-16</b>	
<b>REV</b>	<b>MODIF</b>	<b>DES.</b>	<b>DATE</b>	<b>VER.</b>	<b>DATE</b>
<b>SCALE</b>	<b>1/1</b>			<b>REV.</b>	<b>SHEET</b>
				<b>A</b>	<b>2/9</b>



<b>AMEL</b>							
B	INIT EDIT	WL	2010-08-16	XXX	XX-XXX-XX		
A	REV	MODIF.	DES.	DATE	REV.	DATE	
SAM3X-EK		SCALE 1/1		REV. A		SHEET 3/8	
ATSAM3X_LFBGA217							

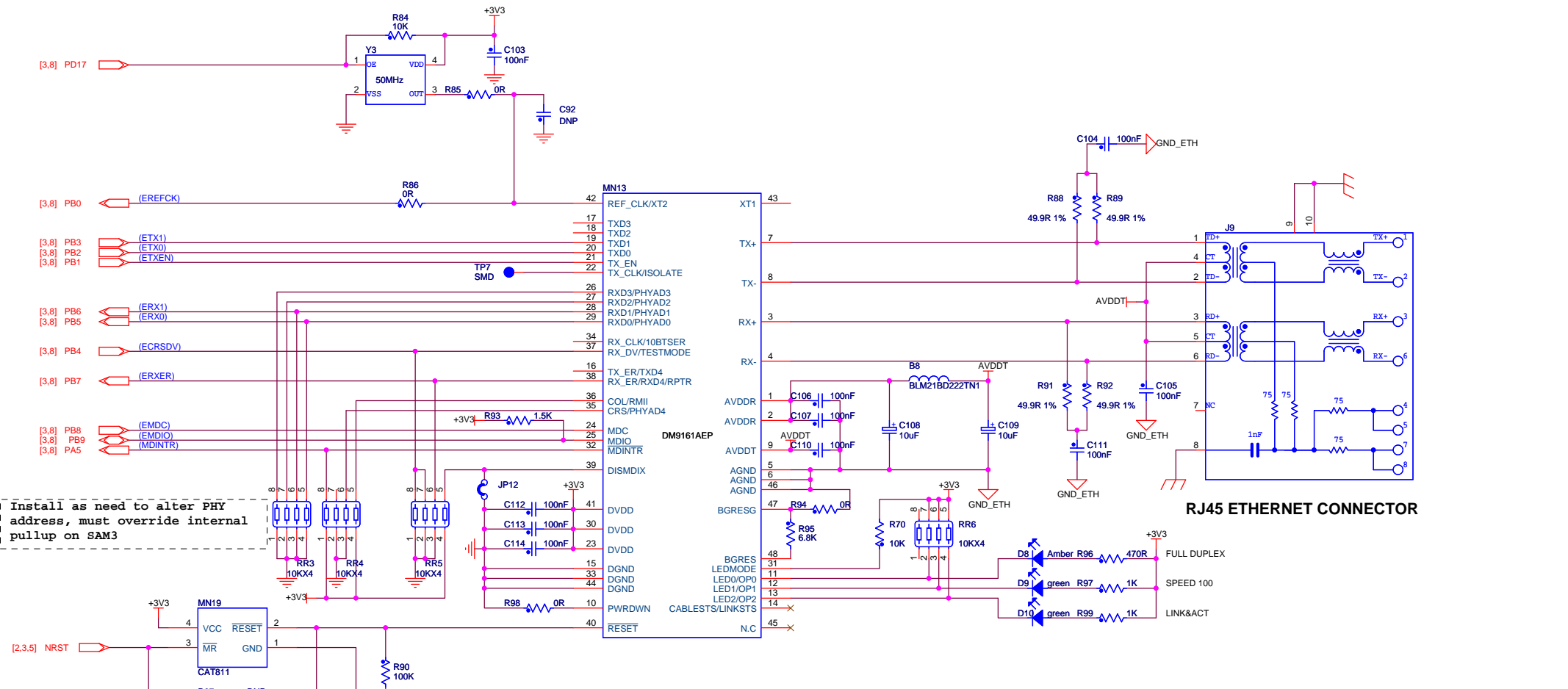
This agreement is our property. Reproduction and publication without our written authorization shall expose offender to legal proceedings.



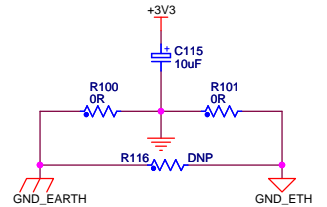


B	INIT EDIT	WL	2010-08-16		
A	REV	WL	2010-03-12	XXX	XX-XXX-XX
SCALE 1/1		DES.	DATE	REV.	DATE
DISPLAY & QTouch				A	5/8
This agreement is our property. Reproduction and publication without our written authorization shall remain offender to legal proceedings.					

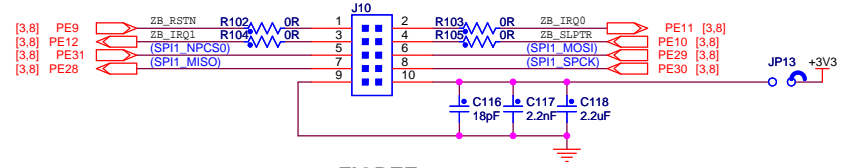




Install as need to alter PHY address, must override internal pullup on SAM3



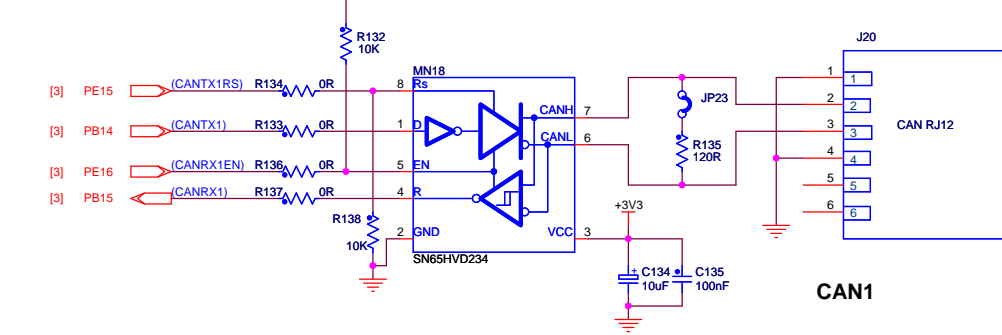
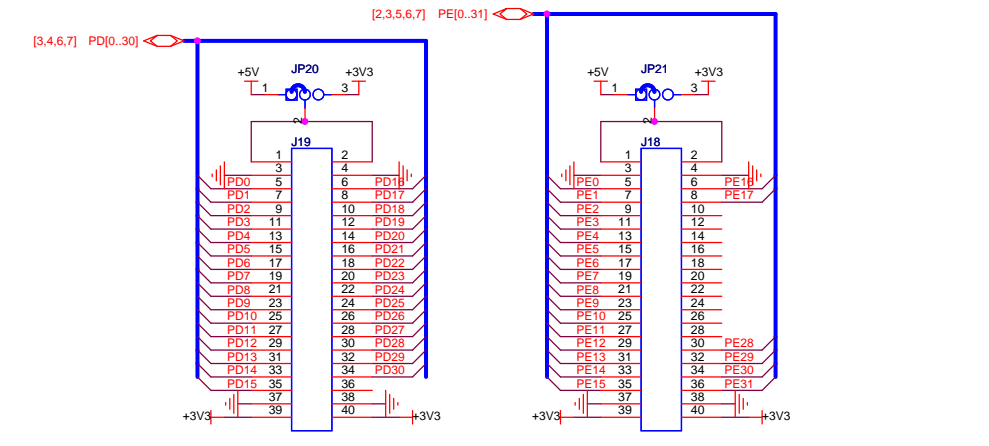
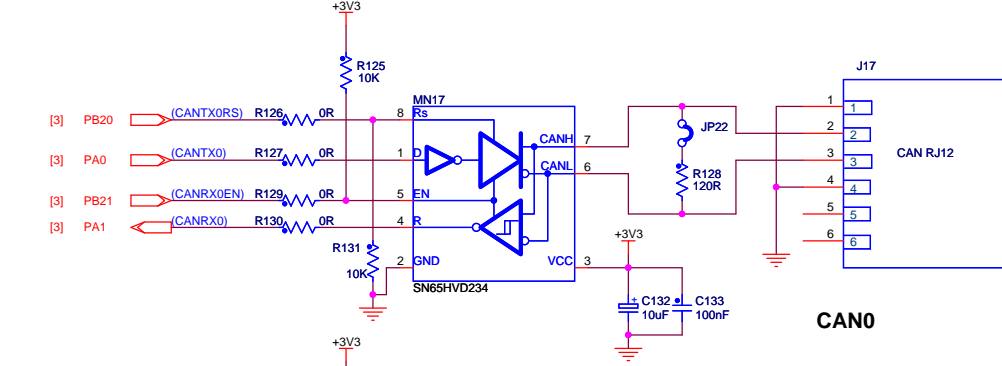
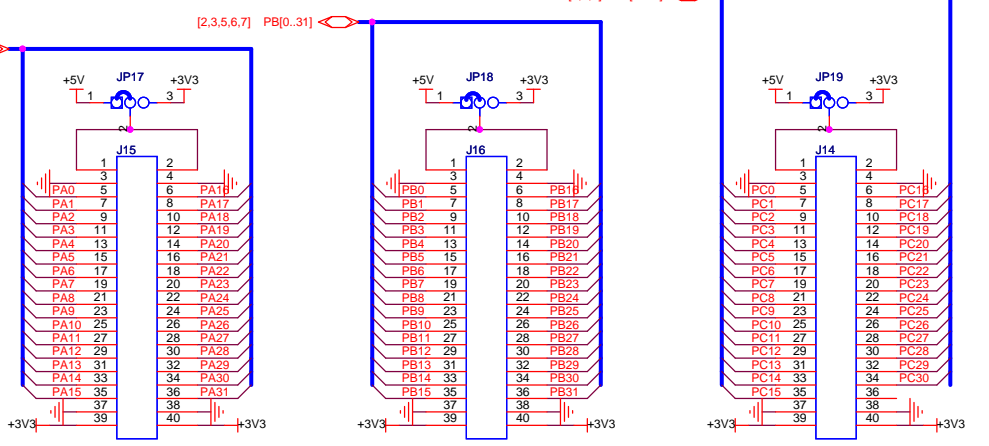
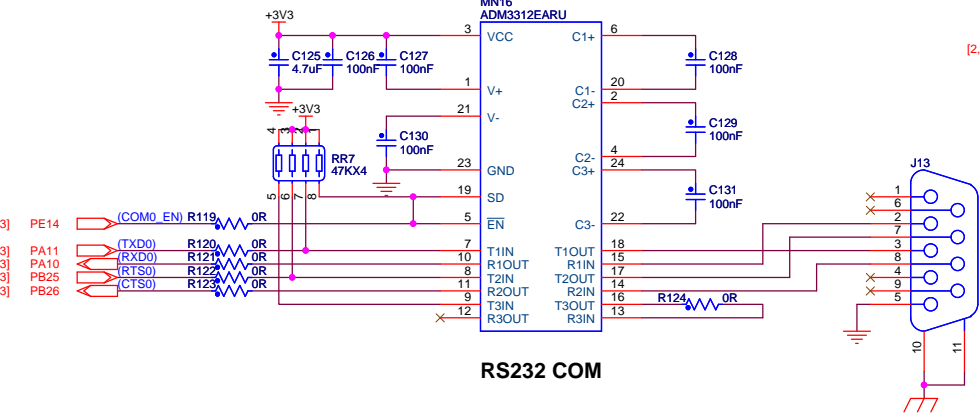
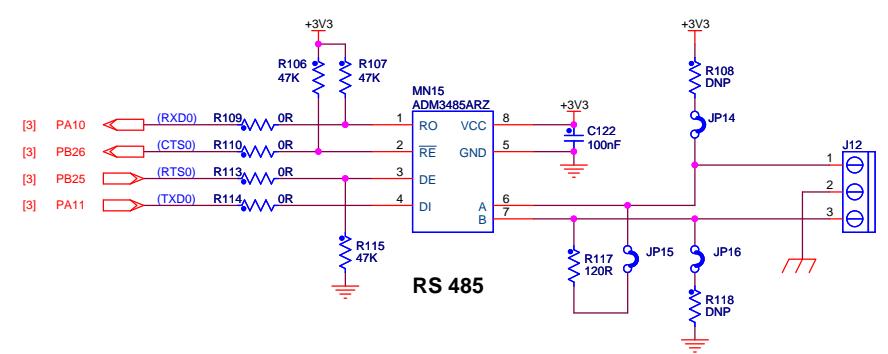
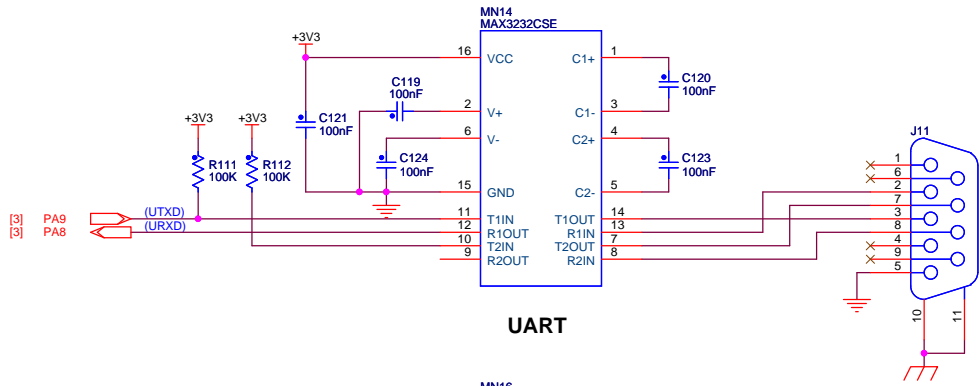
ETHERNET



ZIGBEE

<b>AMEL</b>					
B	INIT EDIT	WL	2010-08-16	XXX	XX-XXX-XX
A	REV	WL	2010-03-12	DES.	DATE
SCALE		1/1		REV.	DATE
SHEET		7/8		REV.	DATE
ETHERNET & ZIGBEE				A	7/8

This agreement is our property. Reproduction and publication without our written authorization shall expose offender to legal proceedings.



**PIO EXPANSION**

REV. 1/1	SCALE 1/1	REV. A	SHEET 8/8
INIT EDIT	DES.	DATE	VER.
2010-08-16	2010-03-12	XXX	XX-XXX-XX
WL	DATE	VER.	DATE

**SERIAL & USER INTERFACES**

This agreement is our property. Reproduction and publication without our written authorization shall expose offender to legal proceedings.