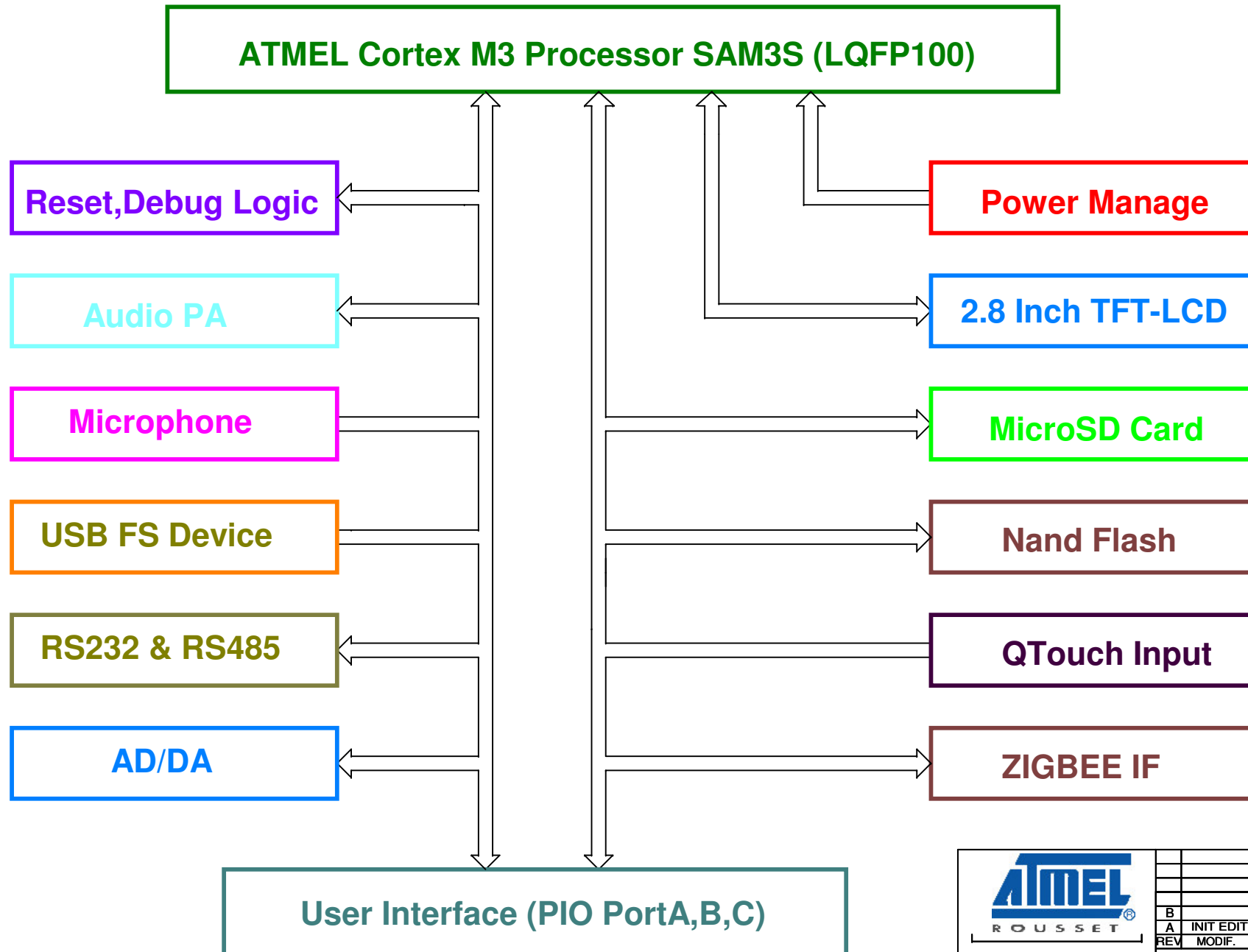



SAM3S-EK RevB Block Diagram



 SAM3S-EK Block Diagram		SCALE	1/1	REV.	B	SHEET	1/7
		REV	MODIF.	DES.	DATE	VER.	DATE
B	INIT EDIT	PP	17-NOV-09				
A		NL	XX-XXX-XX	XXX	XX-XXX-XX		

This agreement is our property. Reproduction and publication without our written authorization shall expose offender to legal proceedings.

REVISION HISTORY

REV	DATA	NOTE
A	2009.07	ORIGINAL RELEASED
B	2009.11	UPDATED

SCHEMATICS CONVENTIONS

(1) Resistance Unit: "K" is "Kohm", "R" is "Ohm,"
(2) "DNP" means the component is not populated by default

JUMPER and SOLDERDROP

PAGE	REFERENCE	DEFAULT	FUNCTION
3	JP1	OPEN	Close to select JTAG boundary scan
	JP2	1-2	Analog reference voltage selection between 3.3V and 2.5V
	JP3	OPEN	Close to reinitialize the Flash contents and some of its NVM bits
	JP4	OPEN	Close for manufacturing test or fast programming mode
	JP5, JP6, JP7, JP8	CLOSE	Access for current measurement on each power rail
4	JP9	CLOSE	Nand Flash chip select enable
	JP11	CLOSE	RS485 bus termination enable
	JP10, JP12	OPEN	RS485 pull resistor selectors
5	JP13	CLOSE	LCD chip select enable
6	JP14, JP15	OPEN	Sync close to degrade gain stage on microphone input
	JP17, JP19	OPEN	Close to mux RIN/LIN into MONO-IN path within audio PA
	JP16, JP21	OPEN	Close for impedance matching on AD/DA BNC port
	JP18	1-2	ADC input selection between BNC port and potentiometer
	JP20	OPEN	Close to fix in mono speaker mode, no matter stereo plug state
	SD1	OPEN	DAC path isolation on sharing channel
	SD2	CLOSE	Lead PB13 as AUDIO_OUTL channel
	JP22, JP23, JP24	1-2	DC voltage selection between 3.3V and 5V on PIO expansion ports
7	JP25	CLOSE	Button BP2 disable
	JP26	CLOSE	Button BP3 disable
	JP27	CLOSE	Power consumption measure for ZigBEE module

TABLE OF CONTENTS

PAGE	DESCRIPTION
1	Block Diagram
2	Reference guide
3	Microcontroller
4	NAND Flash, RS232, RS485, MCI, JTAG
5	LCD, Touch items
6	Audio, AD/DA, Power
7	IO Expansion, USB, ZigBEE, LED, Button

TEST POINT

PAGE	REFERENCE	FUNCTION
3	TP1, TP2, TP3, TP4	GND
4	TP5	UART TXD
	TP6	UART RXD
5	TP7	LCD backlight driver anode
	TP8, TP9	Aux ADC input for TSC
6	TP12	Optional audio PA input

PIO MUXING

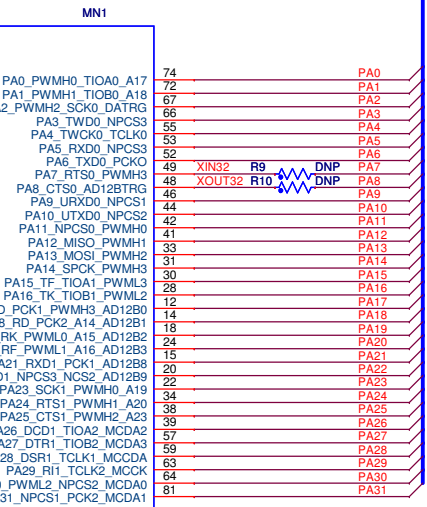
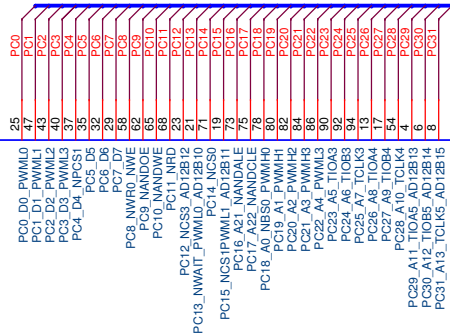
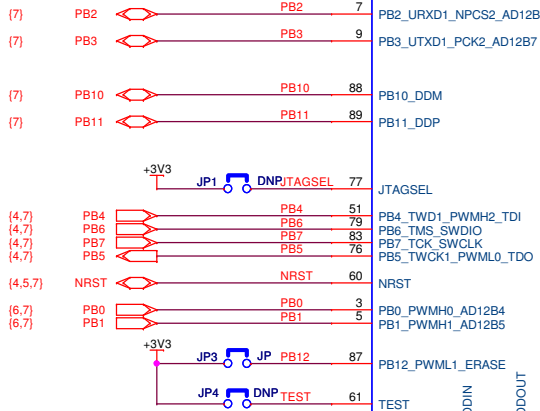
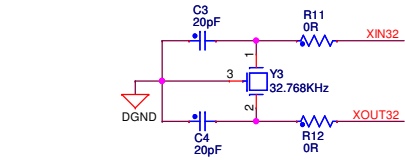
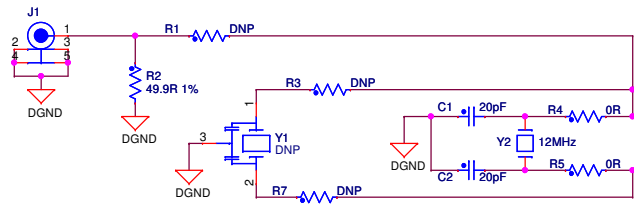
PIOA	USAGE	PIOA	USAGE	PIOB	USAGE	PIOC	USAGE	PIOC	USAGE
PA0	TSLIDR_SL_SNS	PA16	TSC_IRQ/ZB_IRQ0	PB0	MIC INPUT	PC0	D0	PC16	NAND_ALE
PA1	TSLIDR_SL_SNSK	PA17	TSC_BUSY/ZB_IRQ1	PB1	ANA INPUT	PC1	D1	PC17	NAND_CLE
PA2	TSLIDR_SM_SNS	PA18	ZB_RSTN	PB2	ZB_NPCS2	PC2	D2	PC18	NAND_RDYBSY
PA3	TSLIDR_SM_SNSK	PA19	LED_BLUE	PB3	USER_PB1	PC3	D3	PC19	REGSEL_LCD
PA4	TSLIDR_SR_SNS	PA20	LED_GREEN	PB4	JTAG	PC4	D4	PC20	LED_RED(POWER)
PA5	TSLIDR_SR_SNSK	PA21	RXD1	PB5	JTAG	PC5	D5	PC21	USB_CNXP
PA6	MCI_CD	PA22	TXD1	PB6	JTAG	PC6	D6	PC22	TVALID_SNS
PA7	CLK_32K	PA23	COM1EN	PB7	JTAG	PC7	D7	PC23	TVALID_SNSK
PA8	CLK_32K	PA24	RTS1	PB8	CLK_12M	PC8	WR_LCD	PC24	TUP_SNS
PA9	RX_UART0	PA25	CTS1	PB9	CLK_12M	PC9	NAND_OE	PC25	TUP_SNSK
PA10	TX_UART0	PA26	MCI	PB10	USB_DDM	PC10	NAND_WE	PC26	TDWN_SNS
PA11	TSC_CS	PA27	MCI	PB11	USB_DDP	PC11	RD_LCD	PC27	TDWN_SNSK
PA12	MISO	PA28	MCI	PB12	ERASE	PC12	USER_PB2	PC28	TLEFT_SNS
PA13	MOSI	PA29	MCI	PB13	AUDIO OUT R	PC13	EN_LCD	PC29	TLEFT_SNSK
PA14	SPCK	PA30	MCI	PB14	AUDIO OUT L	PC14	NAND_NCS0	PC30	TRIGHT_SNS
PA15	ZB_SLPTR	PA31	MCI			PC15	NSC1_LCD	PC31	TRIGHT_SNSK

DEFAULT NO POPULATE PARTS

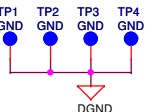
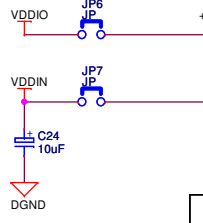
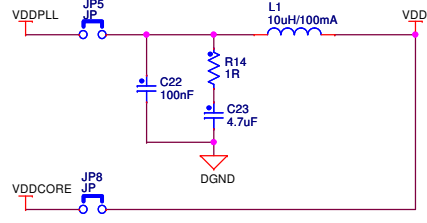
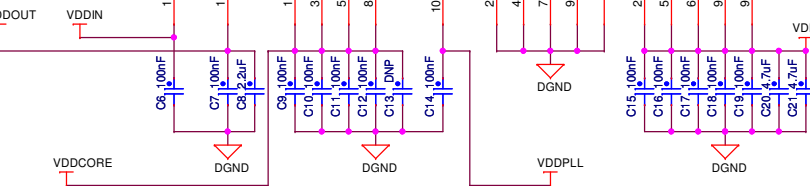
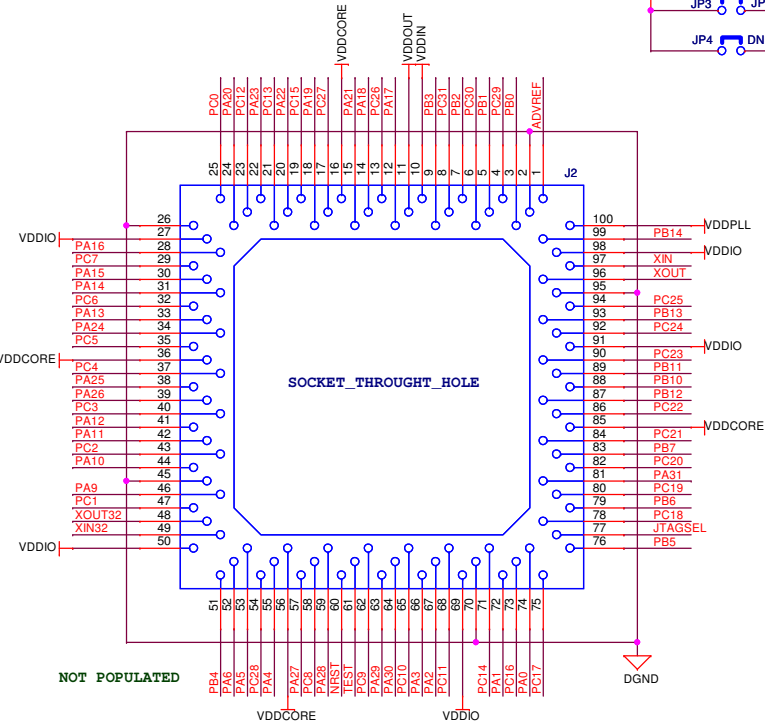
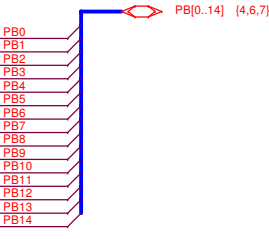
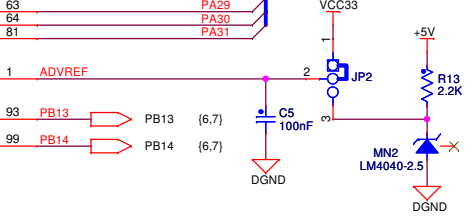
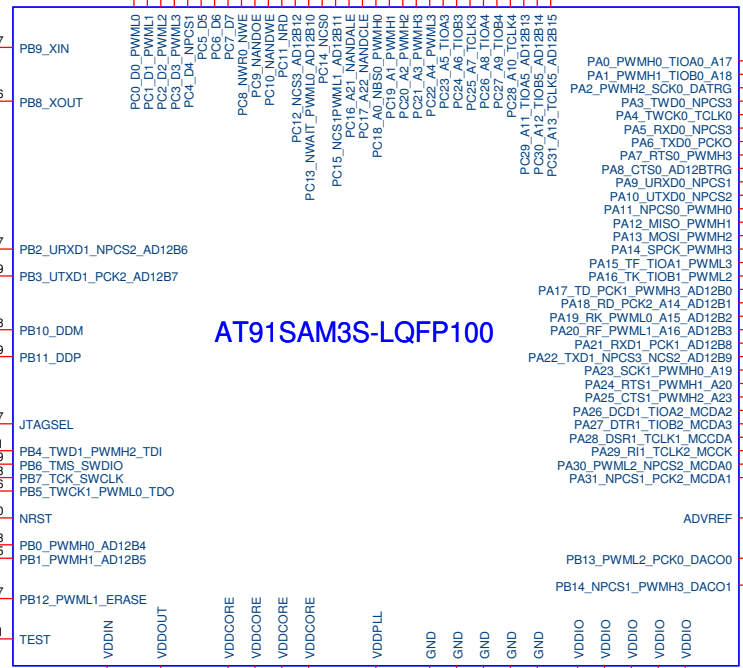
PAGE	REFERENCE	FUNCTION
3	J1, R1	External clock resource input
	Y1, R3, R7	Backup 12MHz crystal
	R6, R8	Isolation between 12MHz clock source and GPIO line
4	R9, R10	Isolation between 32KHz clock source and GPIO line
	R22	Optional write protection on NAND flash
	R23	Optional pull up for open drain output on equivalent device
	R24, R30	Differential impedance matching for RS485 cable
5	R25	Disconnect RS485 Receive data from PA21
	D1	Optional ESD protection for LCD touch panel
	R61, R62, RA2, RA3	Optional databus termination for LCD controller

		PP 17-NOV-09		XXX-XXX-XX		XXX-XXX-XX	
B	INIT EDIT	NL	XX-XXX-XX	REV	DATE	VER.	DATE
SAM3S-EK		SCALE	1/1	REV. SHEET		B 2/4	
Describe							

NOT POPULATED

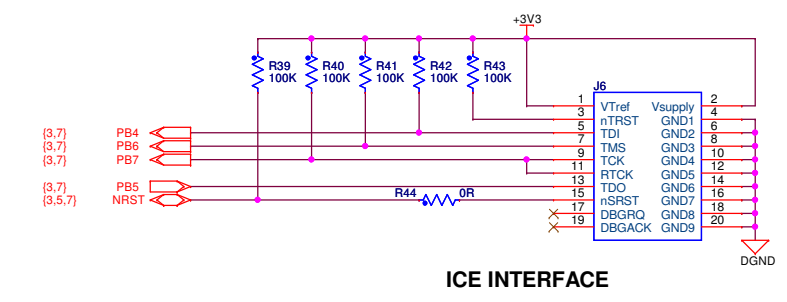
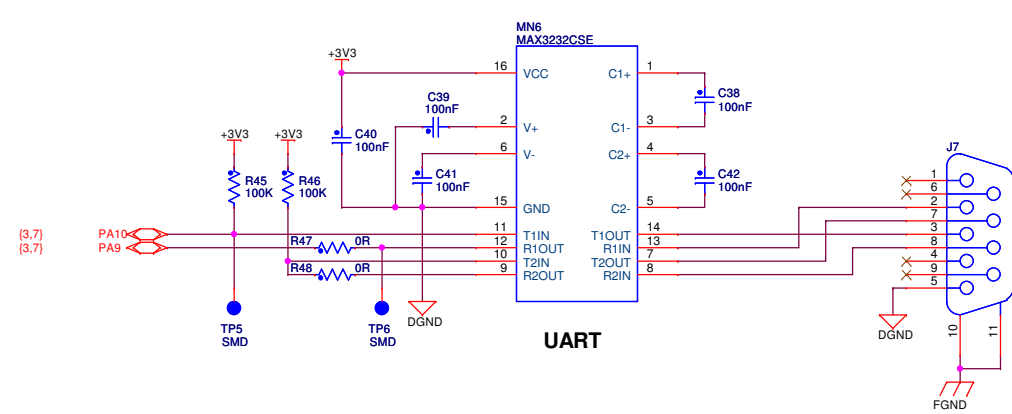
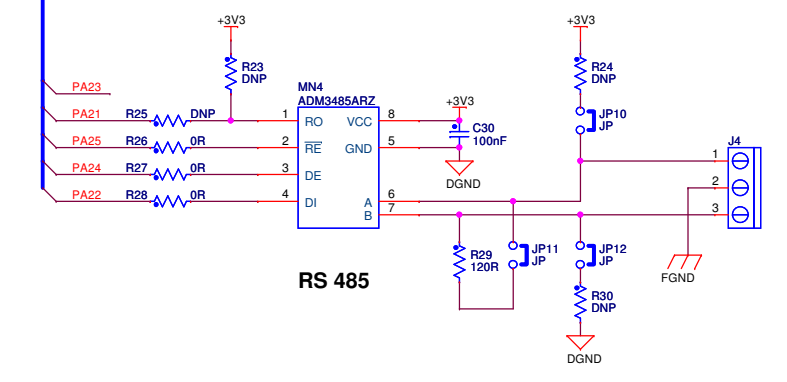
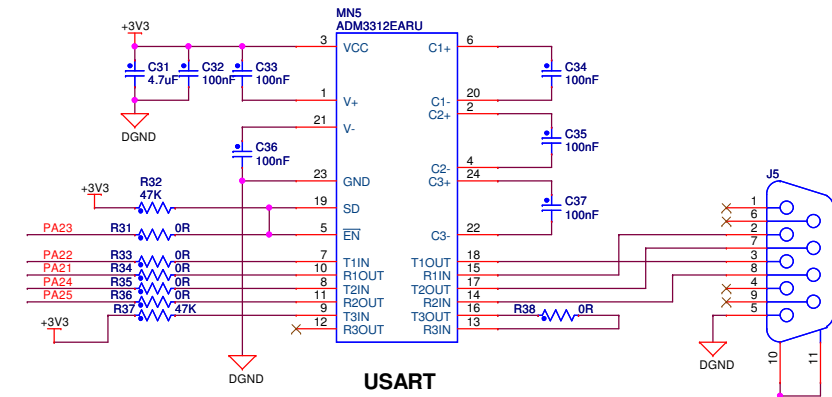
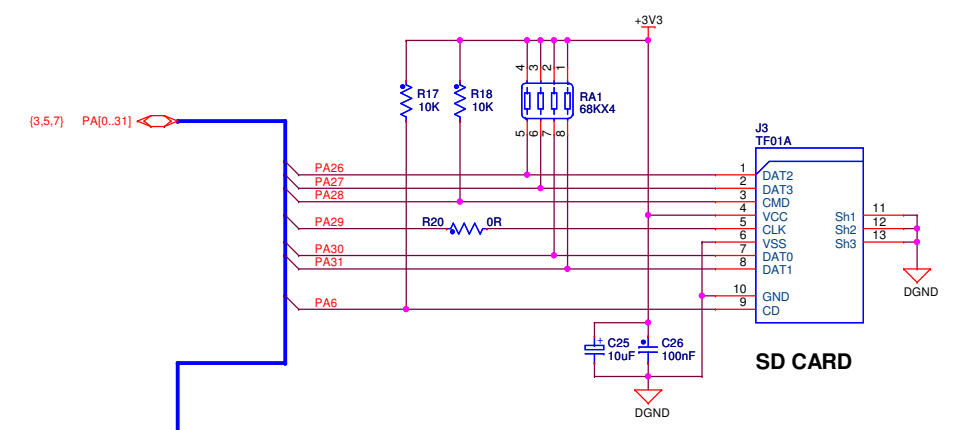
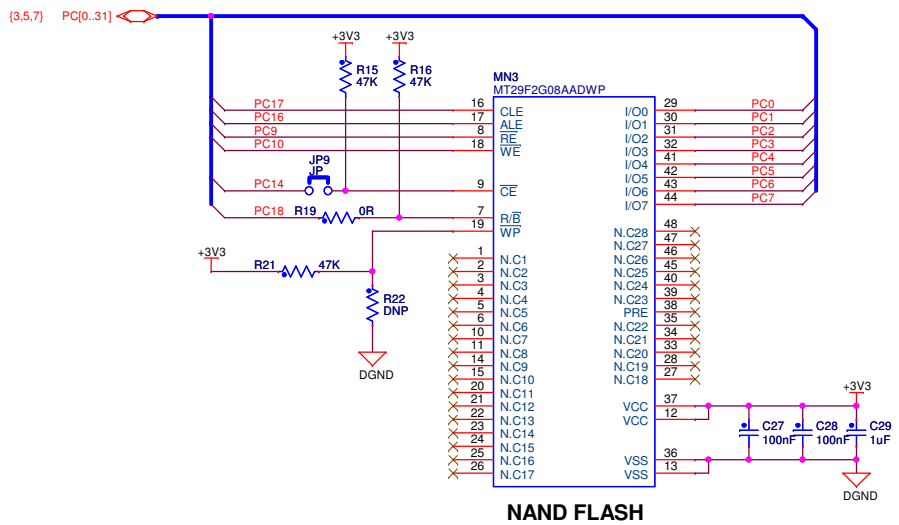


AT91SAM3S-LQFP100

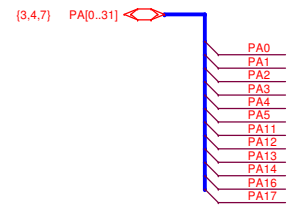
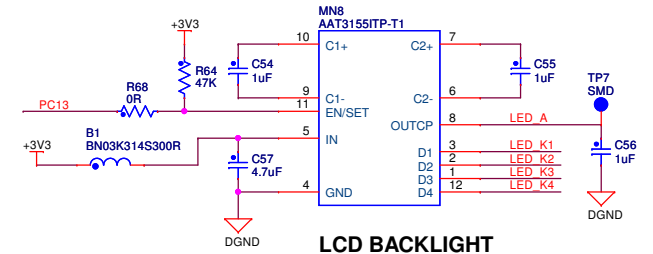
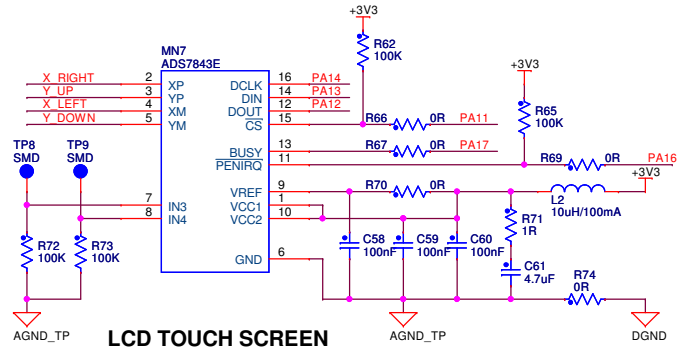
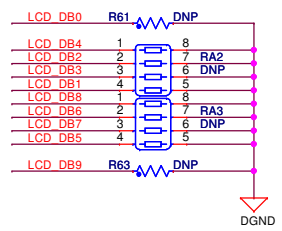
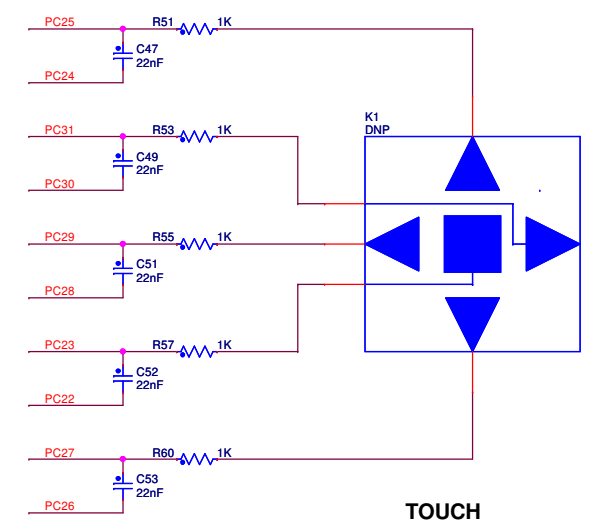
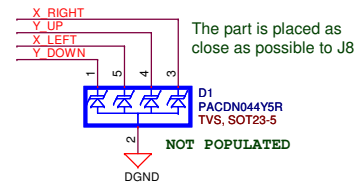
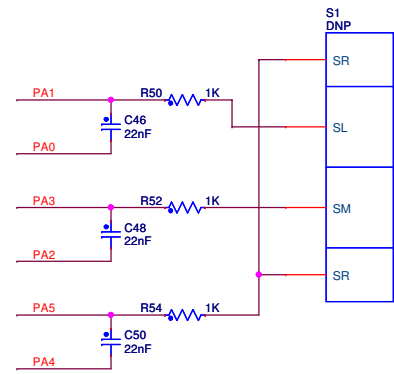
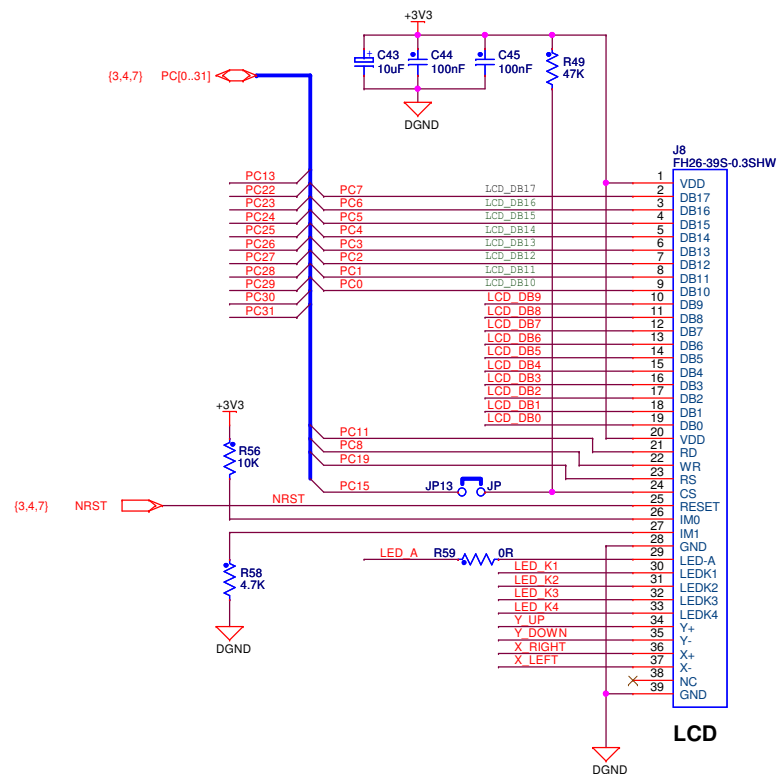


		17-NOV-09		XXX-XXX-XX	
		PP	REV	DES.	DATE
SAM3S-EK		SCALE 1/1		REV. SHEET	
Microcontroller				B 3/7	

This agreement is our property. Reproduction and publication without our written authorization shall expose offender to legal proceedings.

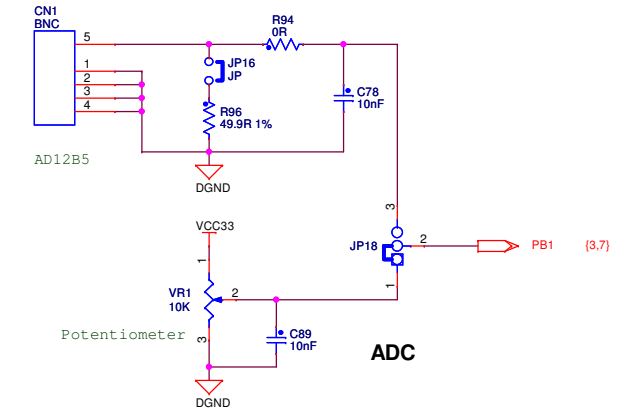
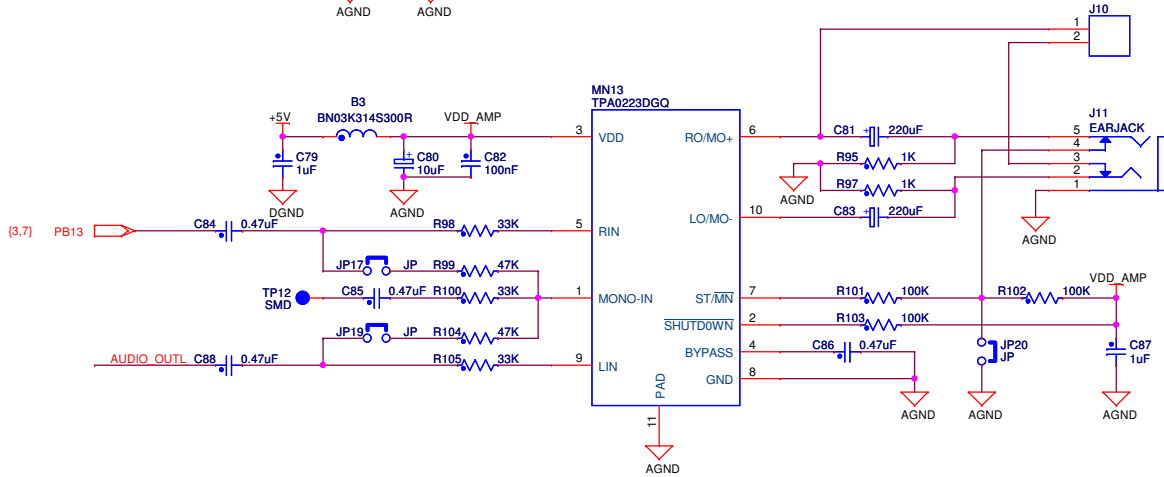
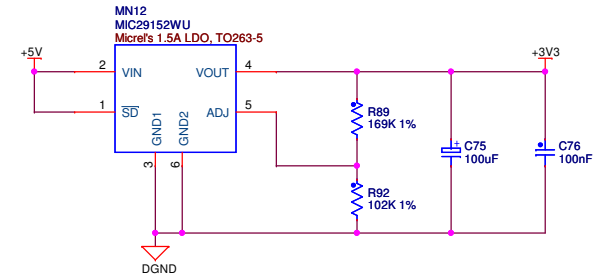
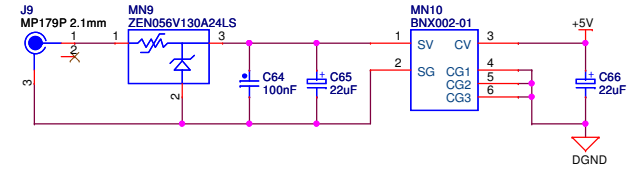
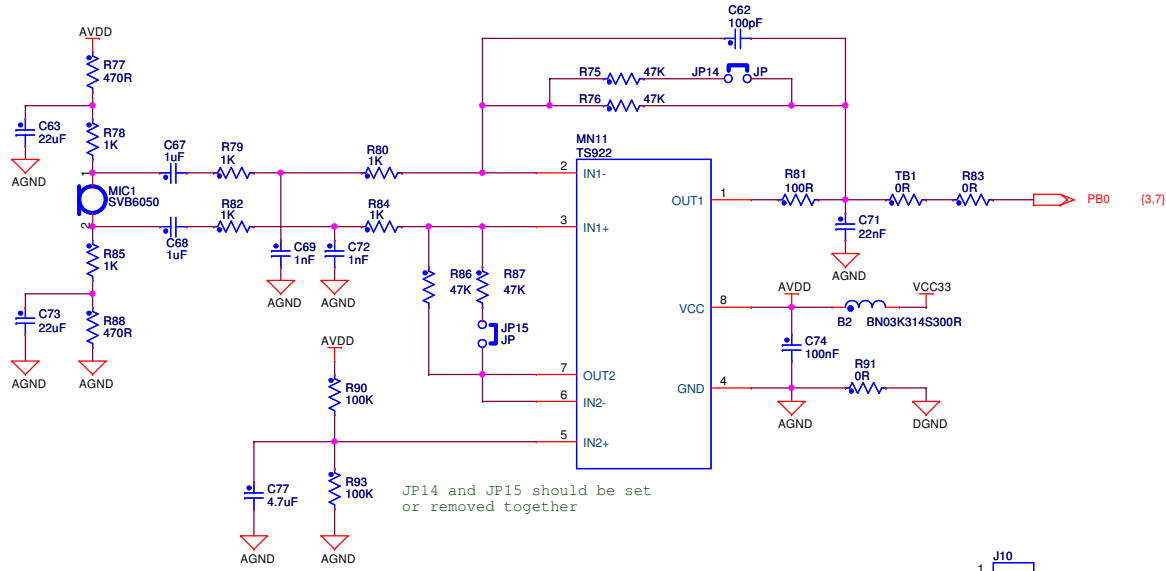


ATMEL							
ROUSSET							
SAM3S-EK		SCALE 1/1		REV. B		SHEET 4/7	
NAND FLASH, SERIAL INTERFACE							
B	INIT EDIT	PP	17-NOV-09	XXX	XX-XXX-XX	XXX	XX-XXX-XX
A	MODIF.	NL	DATE	DES.	DATE	VER.	DATE

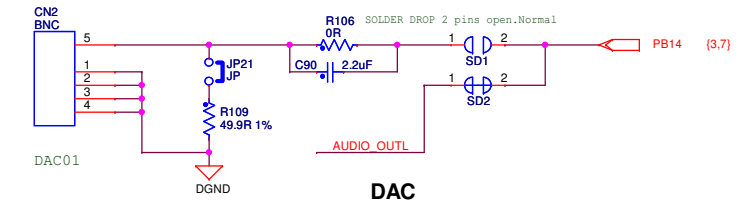
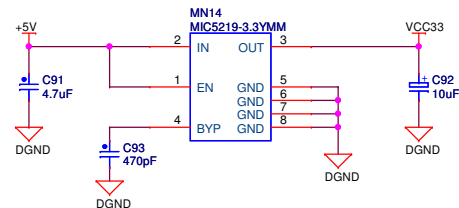


ATMEL ROUSSET		PP 17-NOV-09		XXX-XXX-XX	
B	INIT EDIT	NL	DATE	REV.	DATE
A	MODIF.	DES.	DATE	XXX	DATE
SCALE 1/1			REV. B		SHEET 5/7
SAM3S-EK			TFT-LCD & QTouch		

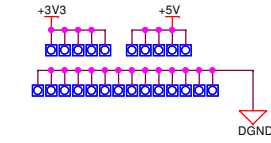
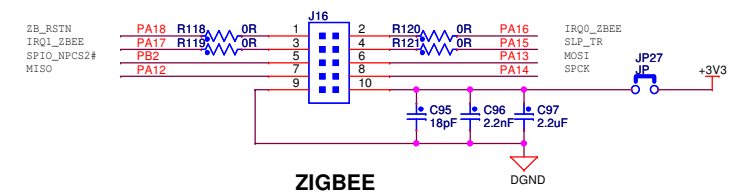
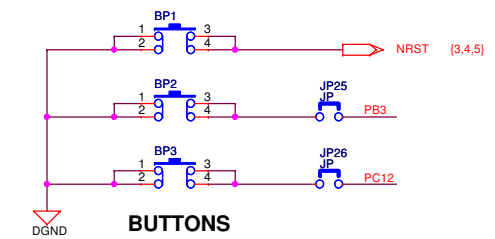
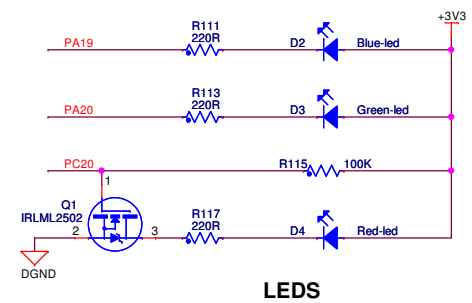
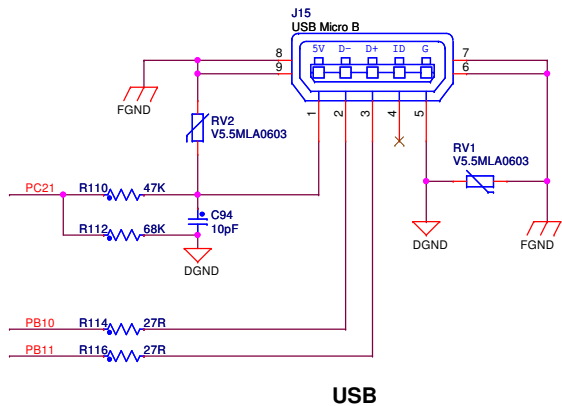
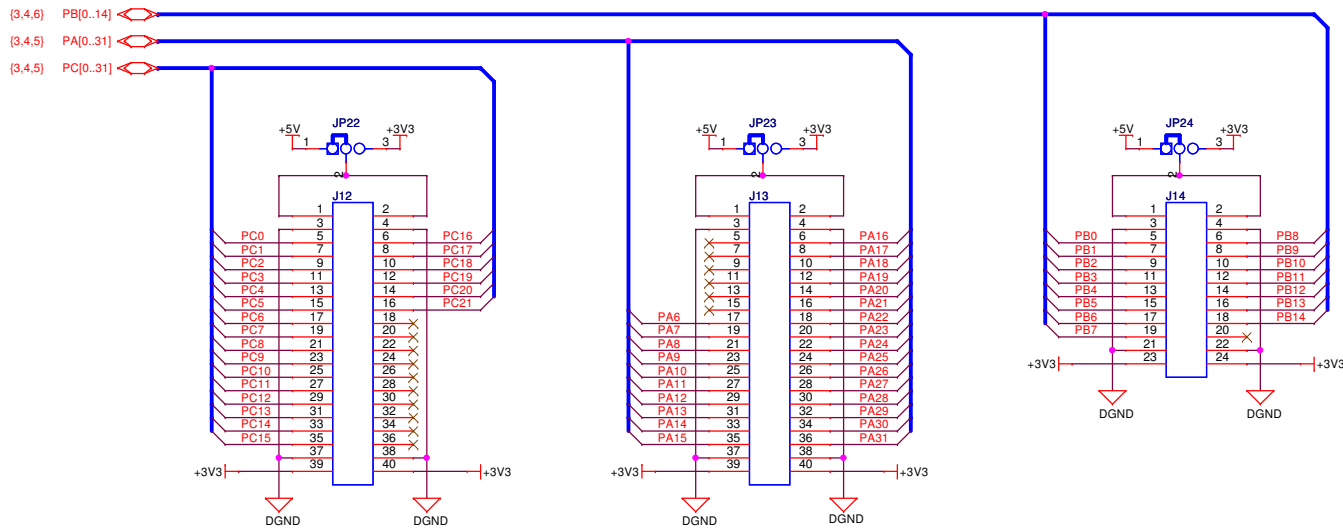
AUDIO IN



AUDIO OUT



		PP		17-NOV-09	
		NL		XX-XXX-XX	
REV		MODIF.		DES.	
SCALE		1/1		REV.	
SHEET		6/7		DATE	
SAM3S-EK		Audio & Power Supply		REV. B	



ATMEL ROUSSET							
B	INIT	PP	17-NOV-09	XXX	XX-XXX-XX	XXX	XX-XXX-XX
A	REV	MODIF.	DES.	DATE	VER.	DATE	DATE
SAM3S-EK		SCALE	1/1			REV.	SHEET
MISC						B	7/7

This agreement is our property. Reproduction and publication without our written authorization shall expose offender to legal proceedings.